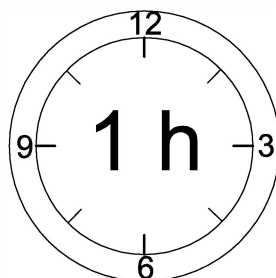
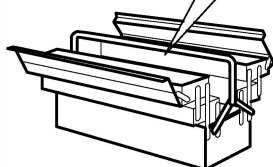
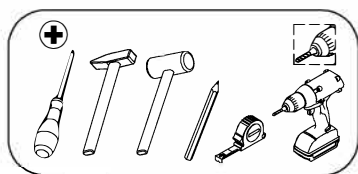
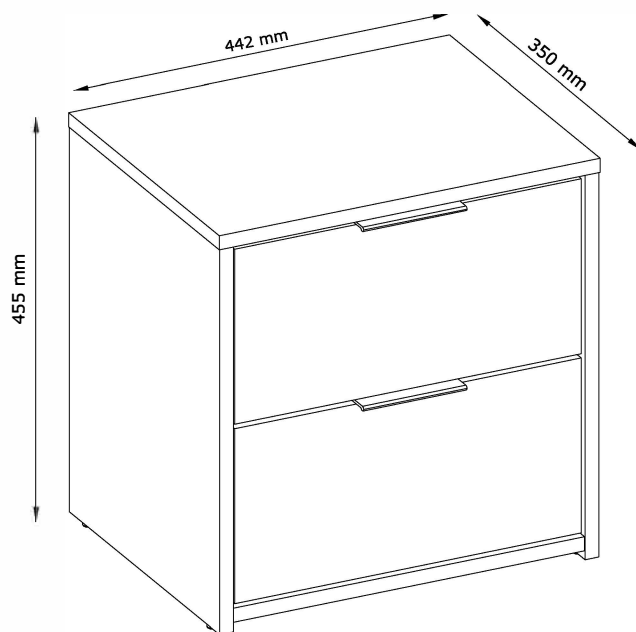
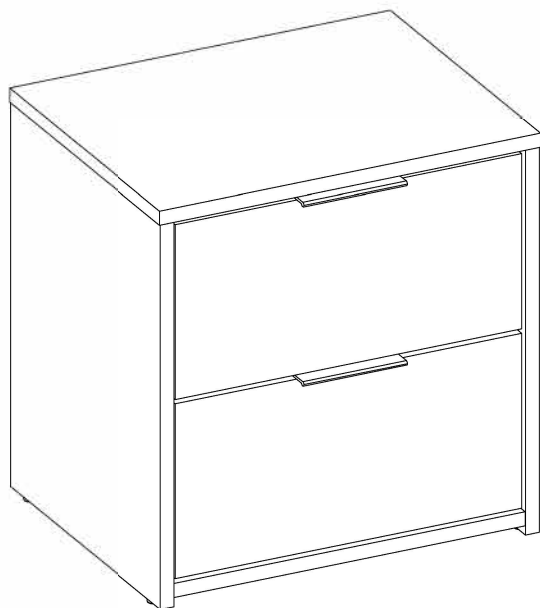
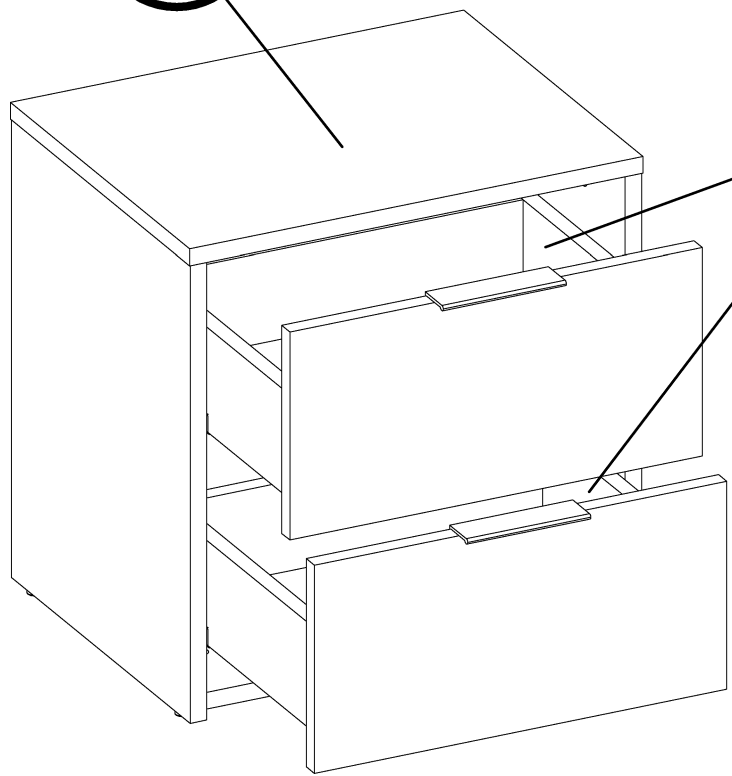
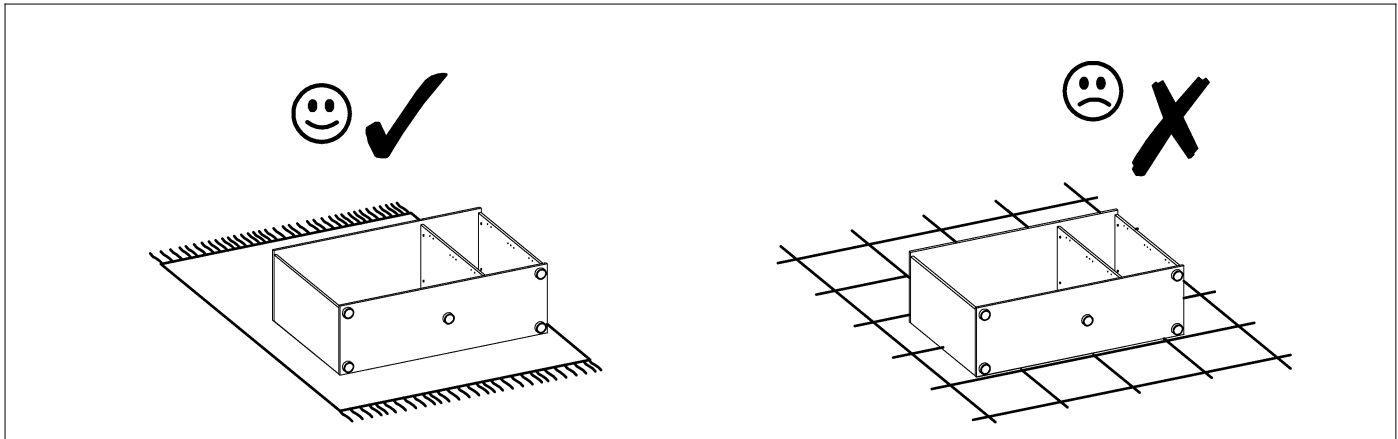
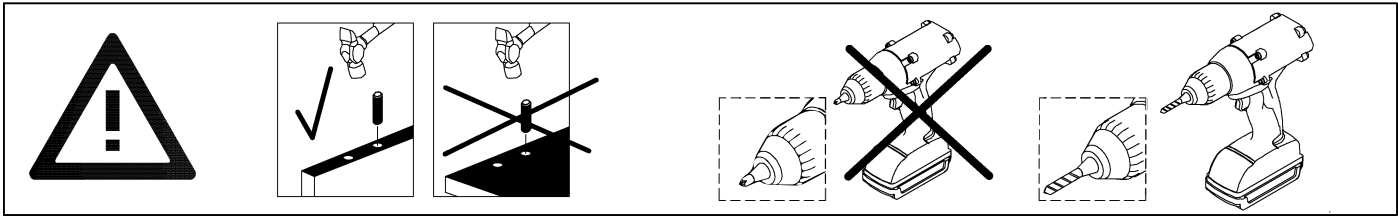
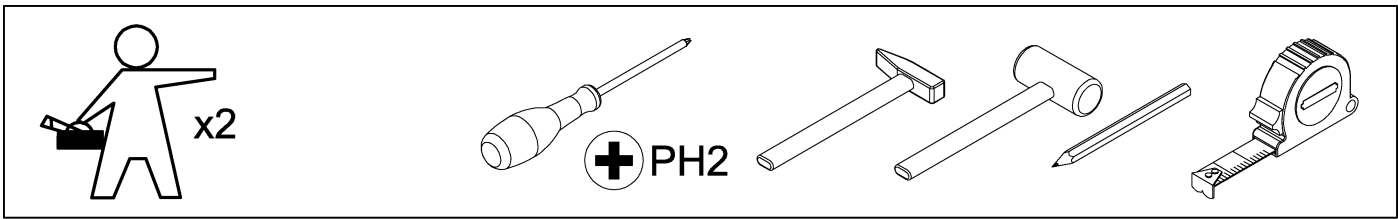

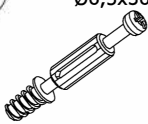
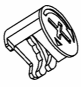
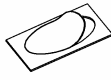




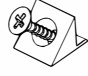

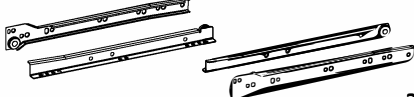


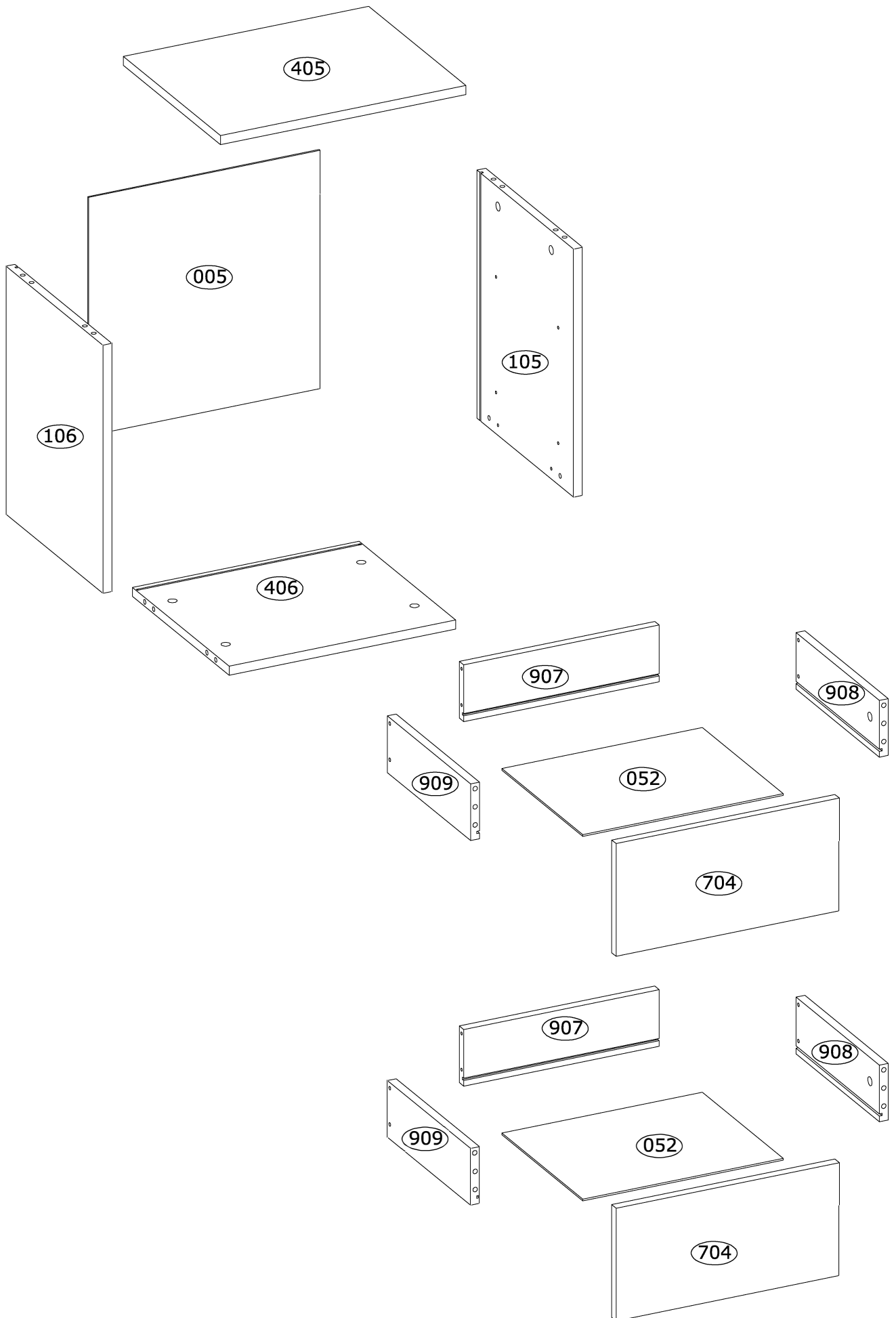
23





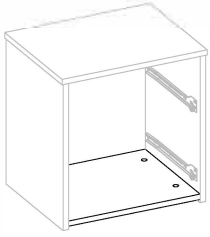
A $\varnothing 8 \times 30$ mm  x32 3989	B $\varnothing 6,5 \times 36,5$ mm  x24 4066	C $\varnothing 15 \times 12$ mm  x24 3996	D $\varnothing 20$ mm  x8 136239	E $\varnothing 3,5 \times 16$ mm  x24 3918
F $6,0 \times 13$ mm  x16 3877	G $\varnothing 12 \times 42$ mm  x16 IN01157	H  x8 70313	I $15 \times 14 \times 11$ mm  x8 4044	J 27×34 L-120mm  x4 209928
K $L - 300$ mm  x4 3802				

0
10
20
30
40
50
60
70
80
90
100
110
120
130
140
150
160
170
180
190
200

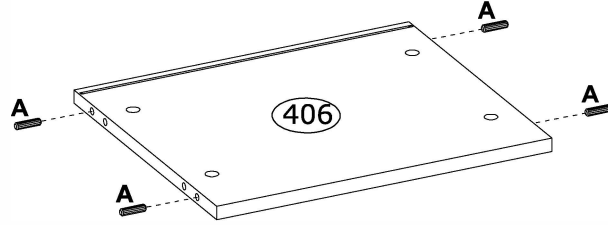


1

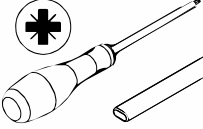

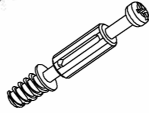

A	$\varnothing 8 \times 30$ mm		x8 3989	
----------	------------------------------	-----------------------------------------------------------------------------------	-------------------	------------------------------------------------------------------------------------

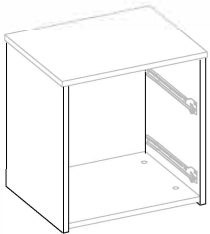


x2

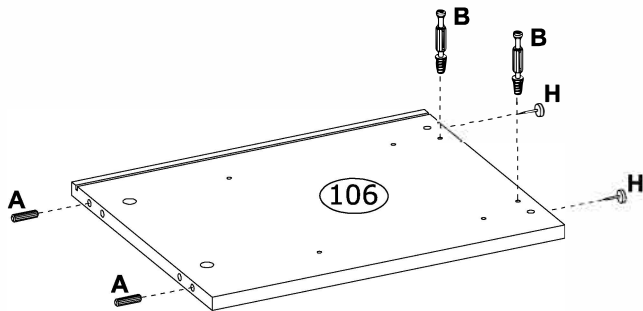
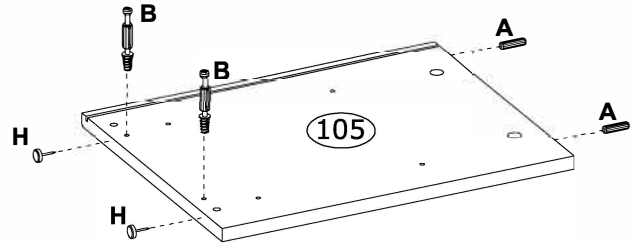


2



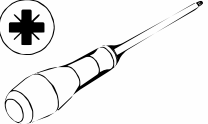
A	$\varnothing 8 \times 30$ mm	B	$\varnothing 6,5 \times 36,5$ mm	H	
	x8 3989		x8 4066		x8 70313



x2

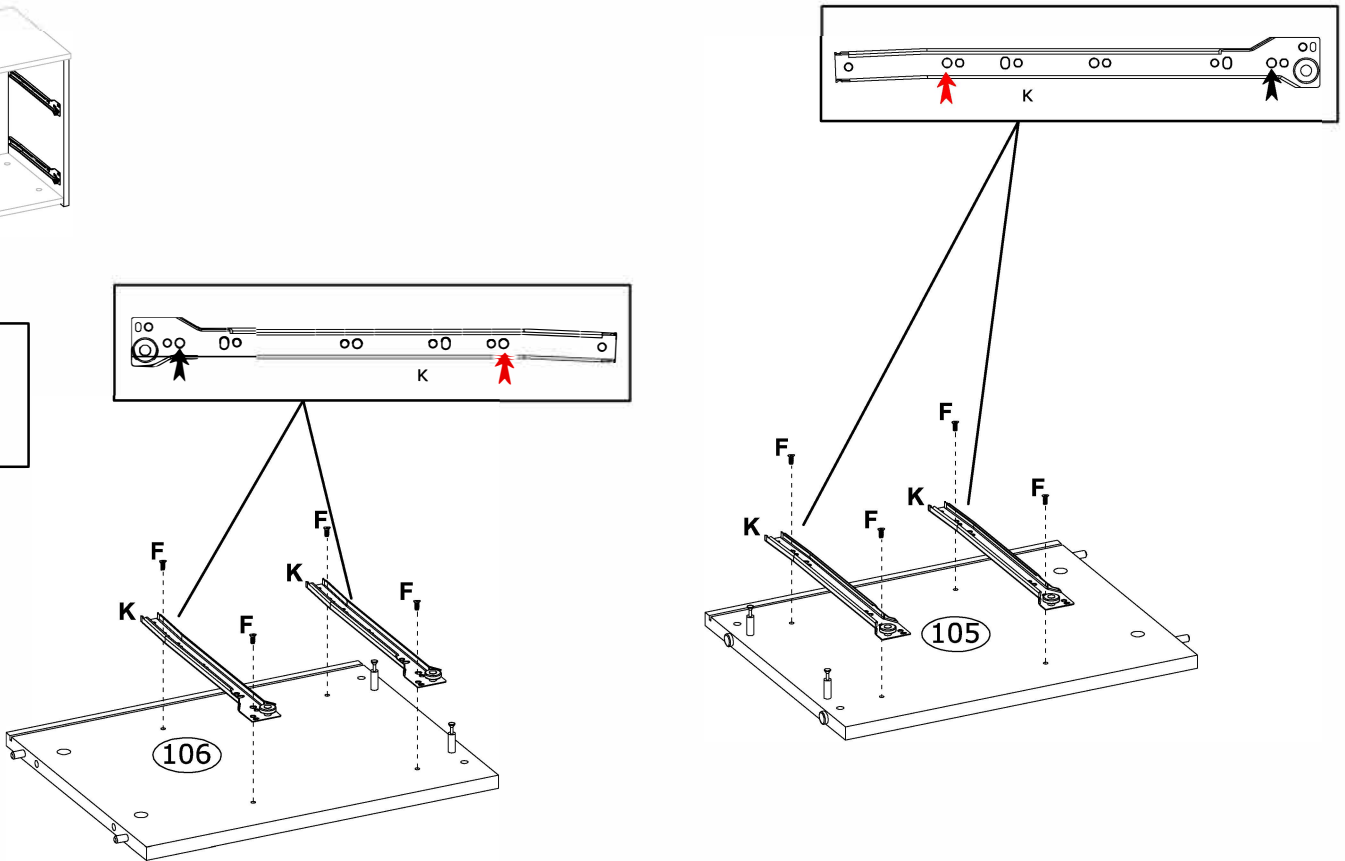


3

K L- 300 mm  x4 3802	F 6,0x13 mm  x16 3877	
--------------------------------------------------------------------------------------------------------------------------	---------------------------------------------------------------------------------------------------------------------------	------------------------------------------------------------------------------------

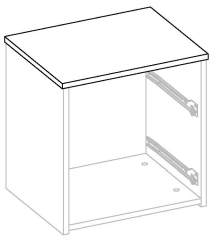


x2

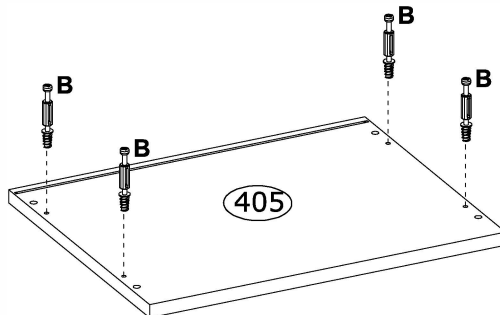


4

B Ø6,5x36,5 mm  x8 4066	
-------------------------------------------------------------------------------------------------------------------------------	---------------------------------------------------------------------------------------

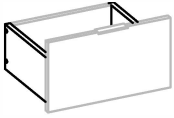
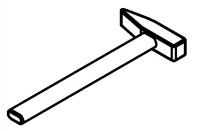


x2

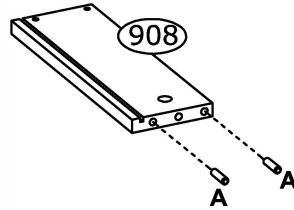
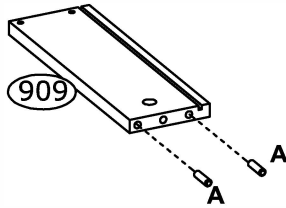


5

A
Ø8x30 mm
x16
3989

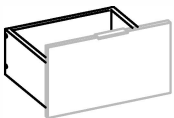
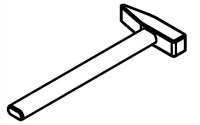


x4

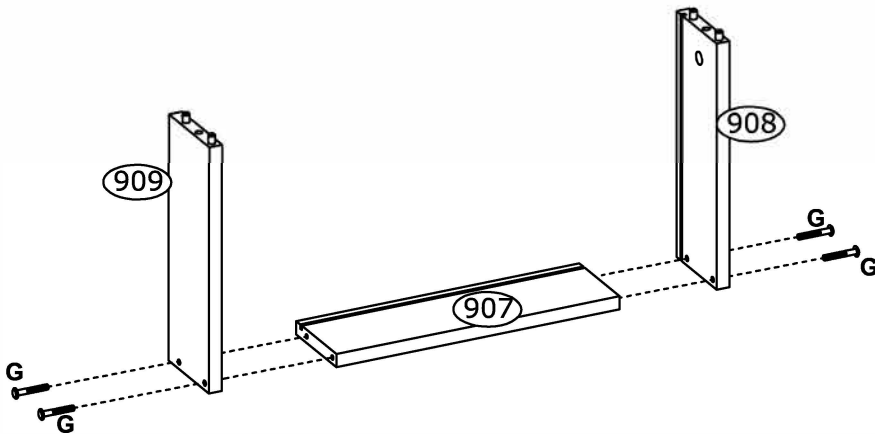


6

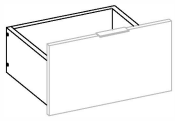
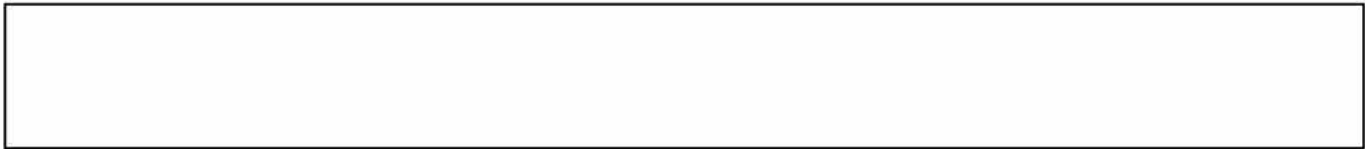
G
Ø12x42 mm
x16
IN01157



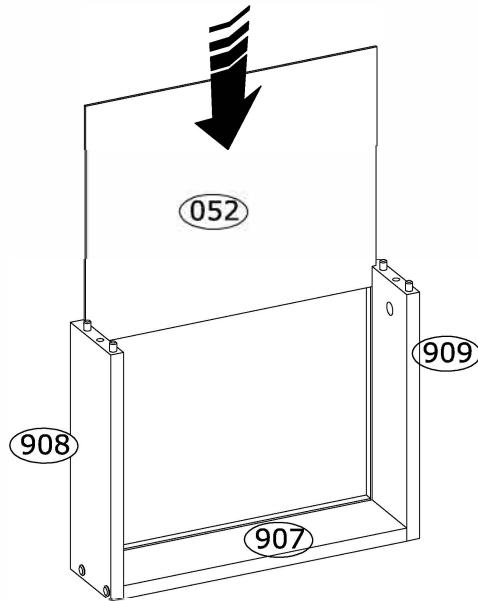
x4



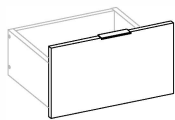
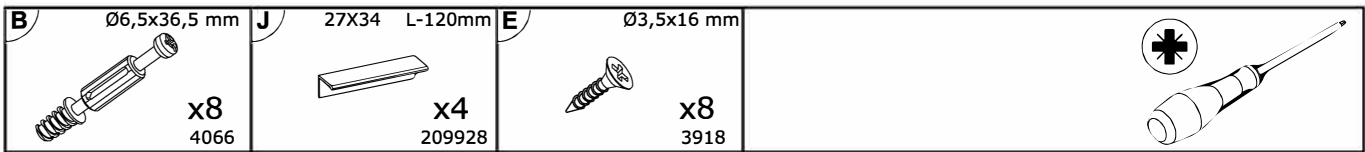
7



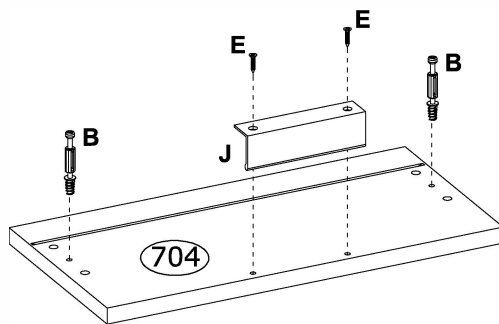
x4




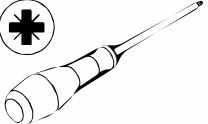
8



x4

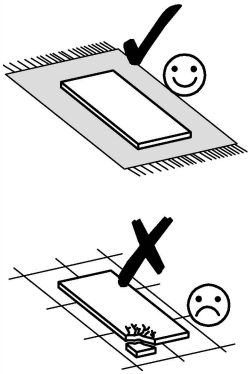
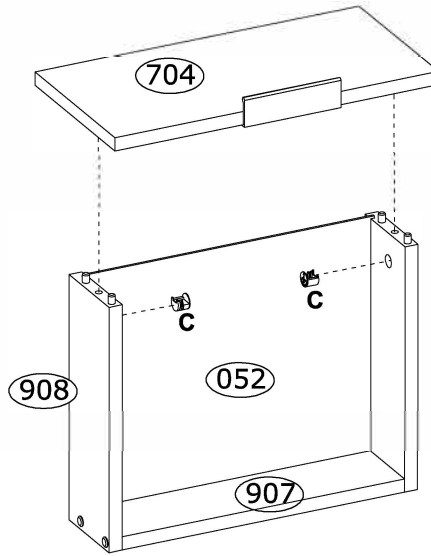


9

<p>C</p> <p>Ø15x12 mm</p>  <p>x8 3996</p>	<p>D</p> <p>Ø20 mm</p>  <p>x8 136239</p>	
---------------------------------------------------------------------------------------------------------------------------------------	--------------------------------------------------------------------------------------------------------------------------------------	------------------------------------------------------------------------------------



x4

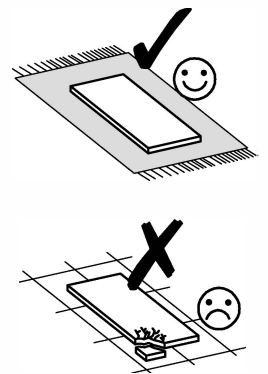
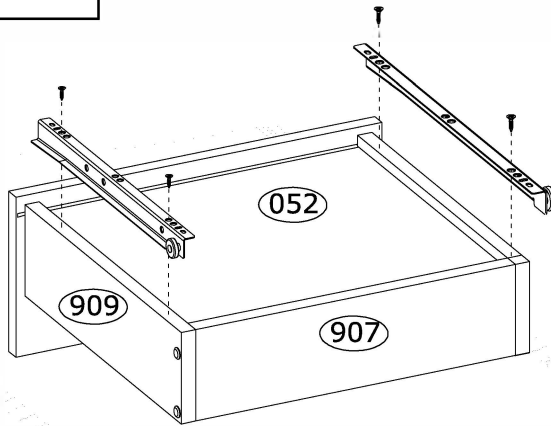


	<p>I</p>	<p>II</p>	<p>III</p>	<p>IV</p>	<p>V</p>
--	----------	-----------	------------	-----------	----------

10

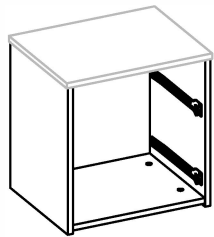
--	--

x4

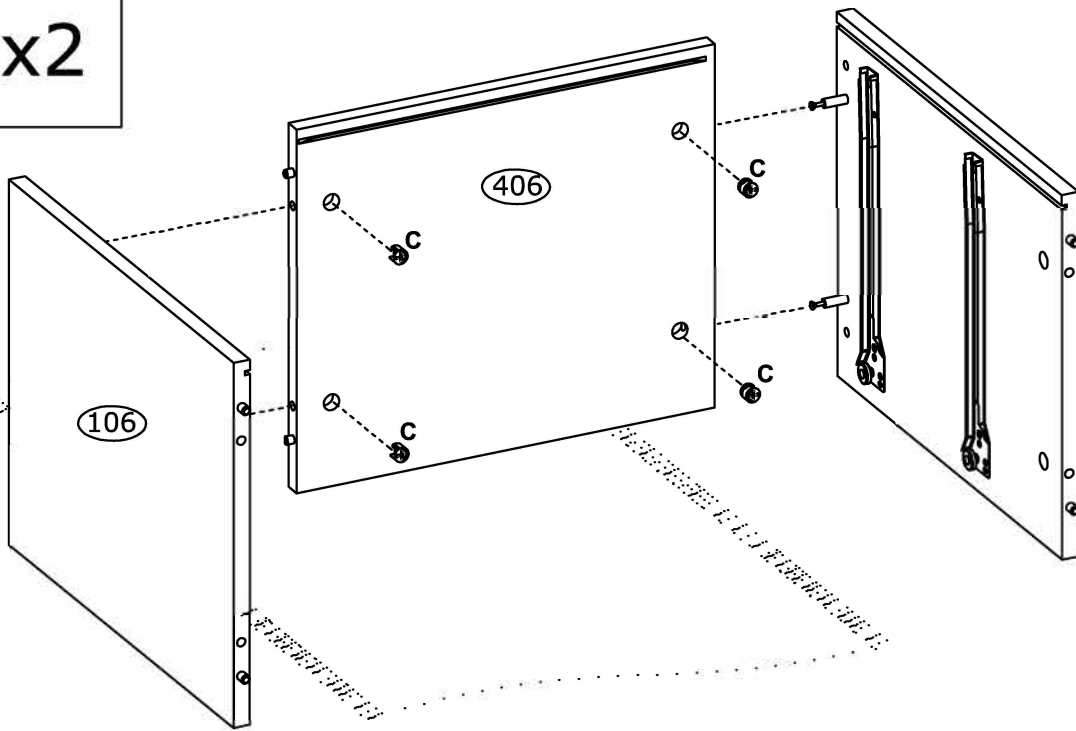
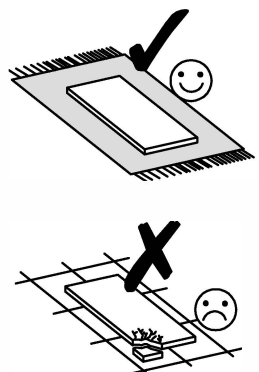


11

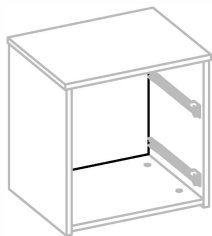
C
Ø15x12 mm
x8
3996



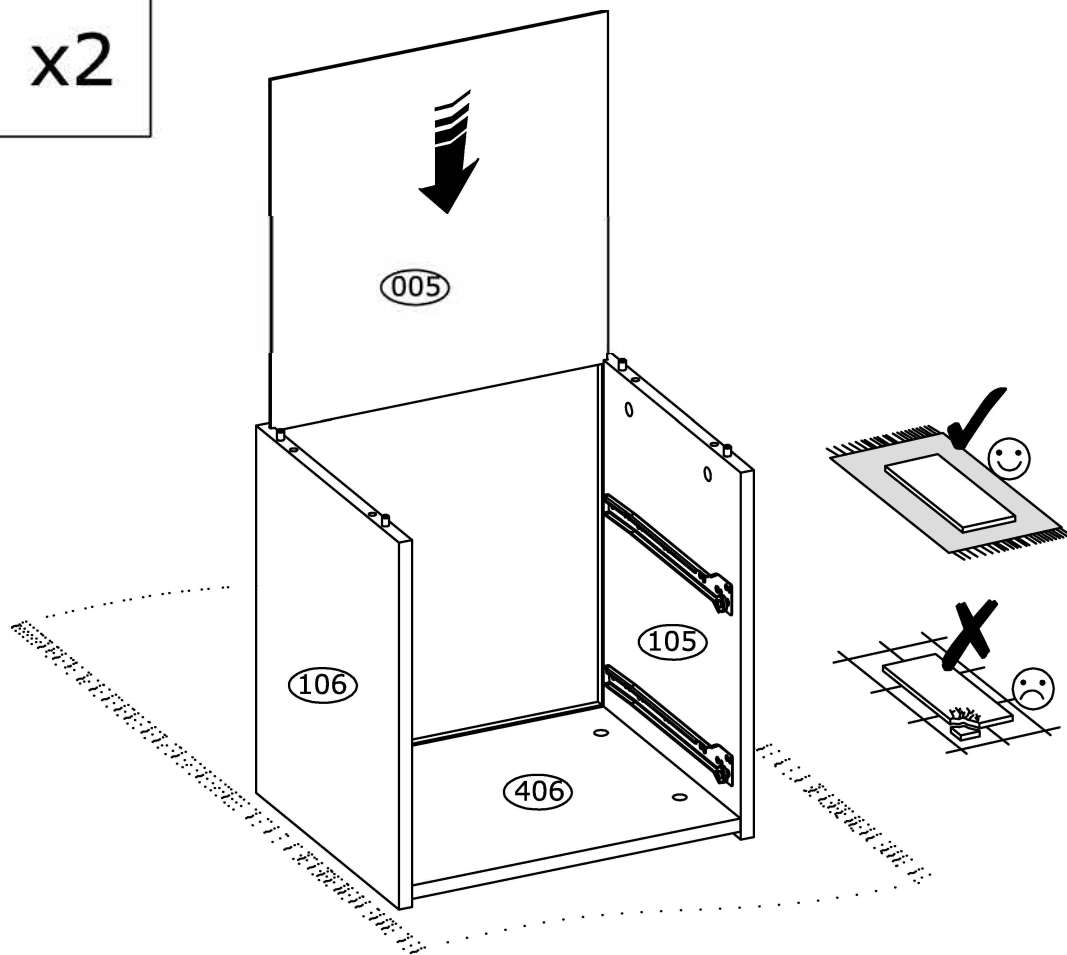
x2



12

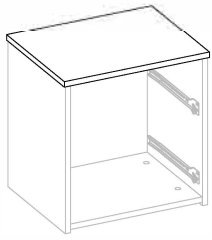
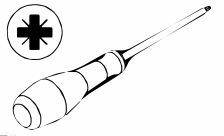


x2

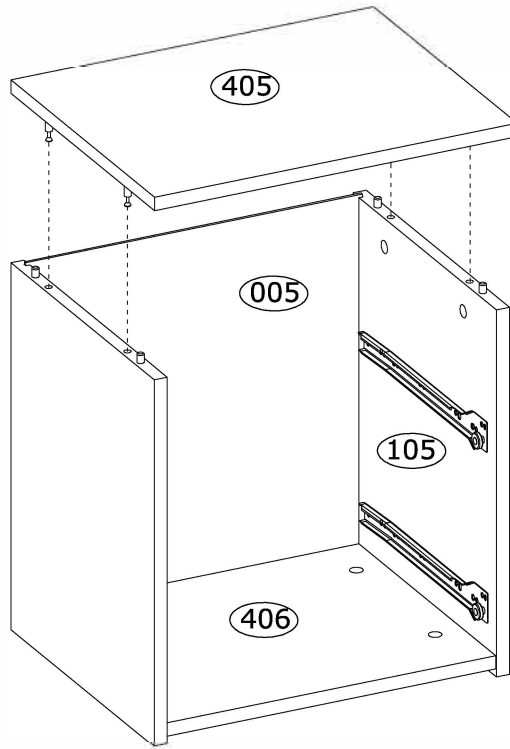


13

C
Ø15x12 mm
x8
3996

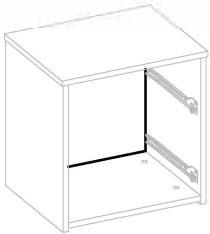
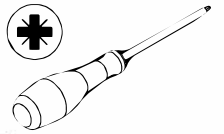


x2

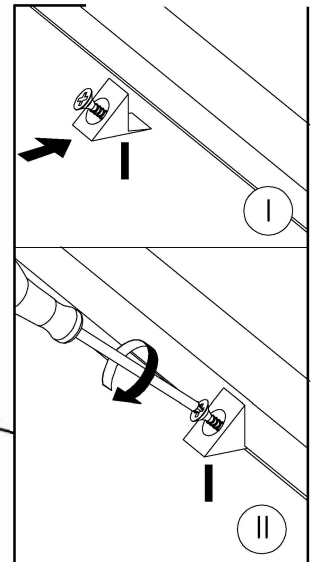
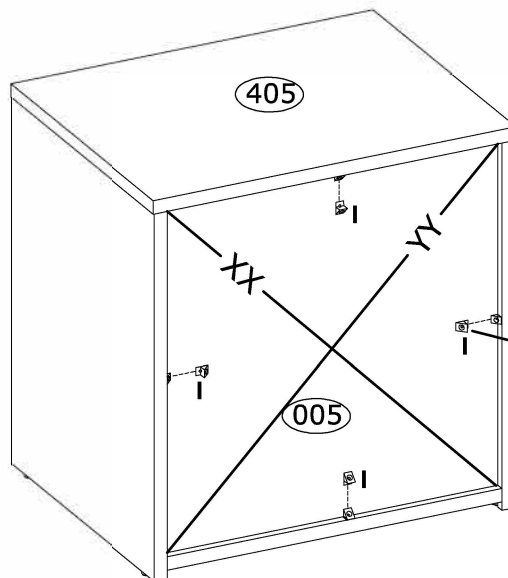



14

I
15x14x11 mm
x8
4044



x2




 $XX=YY=90^\circ$

